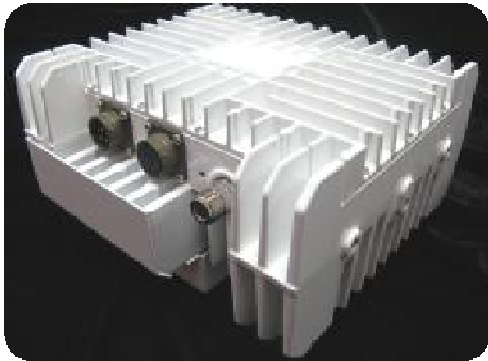


Ku-Band 25W Block Up Converters



Applications

- High power BUCs for VSAT
- SatCom Applications

Features

- 44dBm min. Output Power
- 36~60VDC or 85~265VAC
- DC Power 230W max. (VAC: 250W max.)
- Optional Internal Reference and M&C
- RoHS compliant

Specification

Frequency Band	GMU140145B02	GMU137142B02	GMU137145B02
IF Frequency	950~1450MHz	950~1450MHz	950~1700MHz
LO Frequency	13.05GHz	12.80GHz	12.80GHz
Output P1dB	44dBm min.		
Gain & Gain Variation	70dB typ.		
Gain Flatness	± 0.75 dB max. @ any 54 MHz, ± 2.0 dB max. @ over 500MHz		
Gain Variation	± 2.0 dB max. @ over temperature		
Gain Control (Option)	15 dB gain control in 0.5 dB steps via M&C		
Spurious			
In-band	-60 dBc		
Out-of-band	-50 dBc		
VSWR (In/Out)	2:1 max. / 2:1 max.		
External Ref.	10MHz, -5~+5 dBm via IF Cable		
Phase Noise (SSB)	-65 dBc/Hz @ 100Hz -75 dBc/Hz @ 1KHz -85dBc/Hz @ 10KHz -95dBc/Hz @ 100KHz		
DC Power (AC option)	36~60VDC, 230W max. (85~265VAC, 250W max.)		
M&C			
Interface	RS-485/RS-232, RS-422, M&C Optionally		
Mute	Via M&C Interface or 10MHz Reference Disconnection		
Status LED	RED : Alarm / GREEN : Operational		
Command Function	HPA On/Off, Gain Control, Address Change		
Telemetry Function	Output Power Level (15dB range), Lock Fail, Temperature, Summary Alarm		
Physical Interface			
RF	WR-75G (RF Output) / N-type or F-type (RF Input)		
DC	MS Connector		
Dimension (DC model)	220 x 195 x 136 mm		
Weight	5 kg		
Temperature Range	Operation : -40°C to +55°C		
	Storage : -40°C to +75°C		

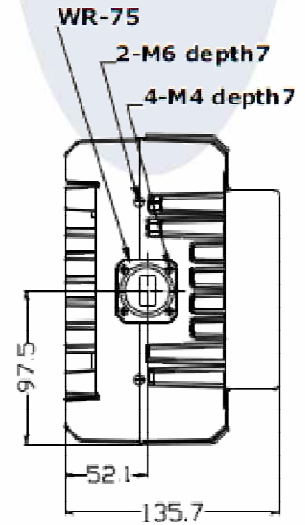
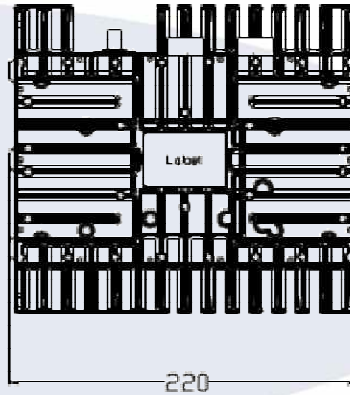
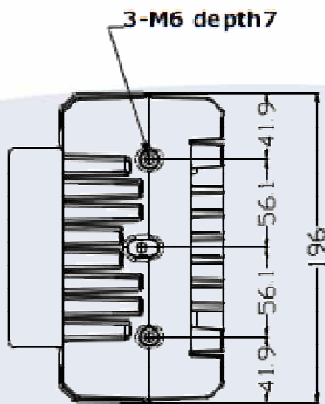
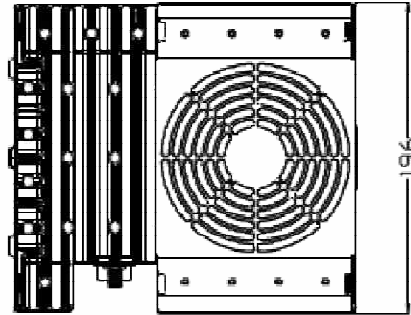
The specification subject to change without notice.



For the customized specification, price, and delivery ; Contact us
 #1005, Woolim Lions Valley 3rd, 5445 Sangdaewon-dong, Jungwon-gu, Seoungnam-si, Gyeonggi-do 462-819, Korea
 TEL : +82-31-713-6105 FAX : +82-31-720-5011 [Http://www.genmixtech.com](http://www.genmixtech.com)

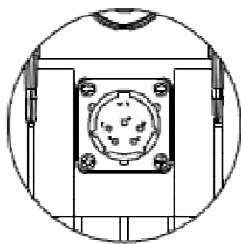
Ku-Band 25W Block Up Converters

Mechanical Outline (DC version)

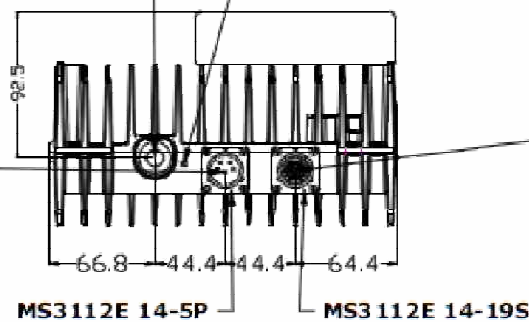


F-Female & N-Female Connector
IF / Ref. (10MHz)

LED Indicator



A : VDC
C : GNG



- A : RS232 Tx
- B : RS232 Rx
- C : GND
- E : RS422 Tx- / RS485 TRX-
- F : RS422 Tx+ / RS485 TRX+
- S : RS422 Rx-
- G : RS422 Rx+

Unit : mm

The specification subject to change without notice.



For the customized specification, price, and delivery ; Contact us
#1005, Woolim Lions Valley 3rd, 5445 Sangdaewon-dong, Jungwon-gu, Seoungnam-si, Gyeonggi-do 462-819, Korea
TEL : +82-31-713-6105 FAX : +82-31-720-5011 [Http://www.genmixtech.com](http://www.genmixtech.com)